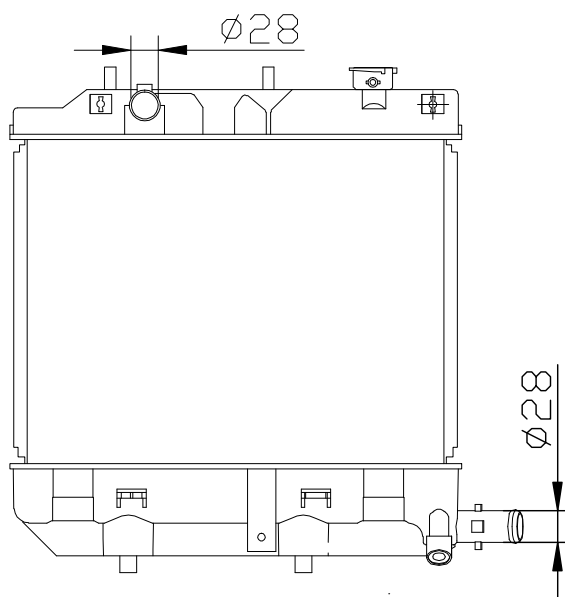


**16103**



**CARTYPE:METRO 5Dr 8/96-11/02 MT**

**CORE SIZE: PA 350 x 378 x 26**

**CORE SIZE:**

**OEM:**

**DPI:**

**CARTON:**

**TANK SIZE: 400\*48**

**OIL COOLER:**