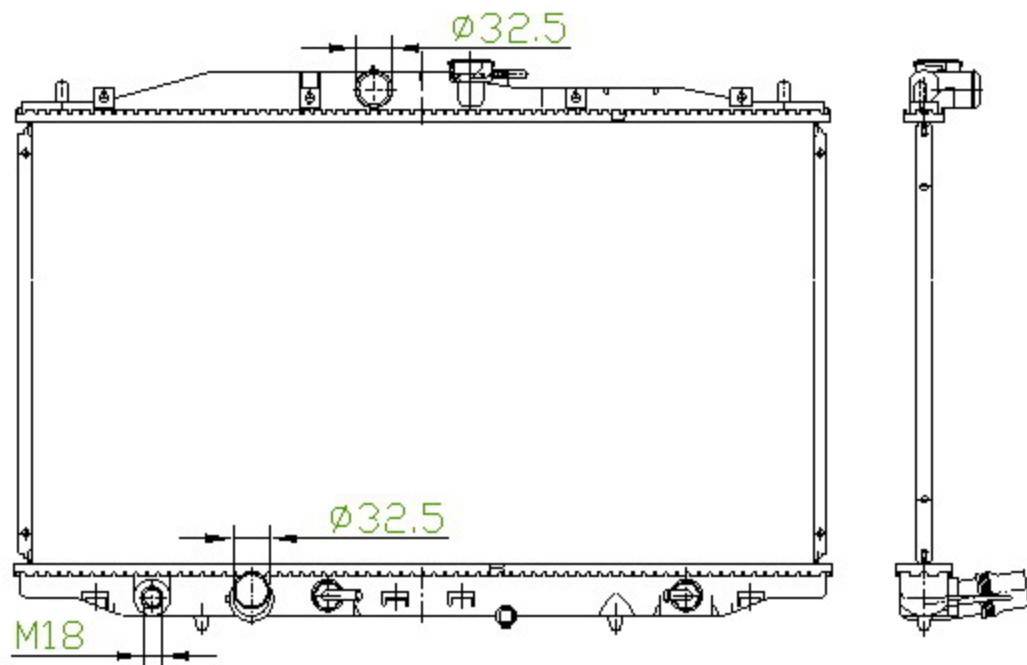


17103



CARTYPE:ACCORD EURO CM2/3 2.0 AT

CORE SIZE: PA 400 x 708 x 16

CORE SIZE:

OEM: 19010-RBB-E51

DPI: 2680 NISSENS:68112

CARTON: 76\*14.5\*58.5

TANK SIZE: 736\*33/48

OIL COOLER:325