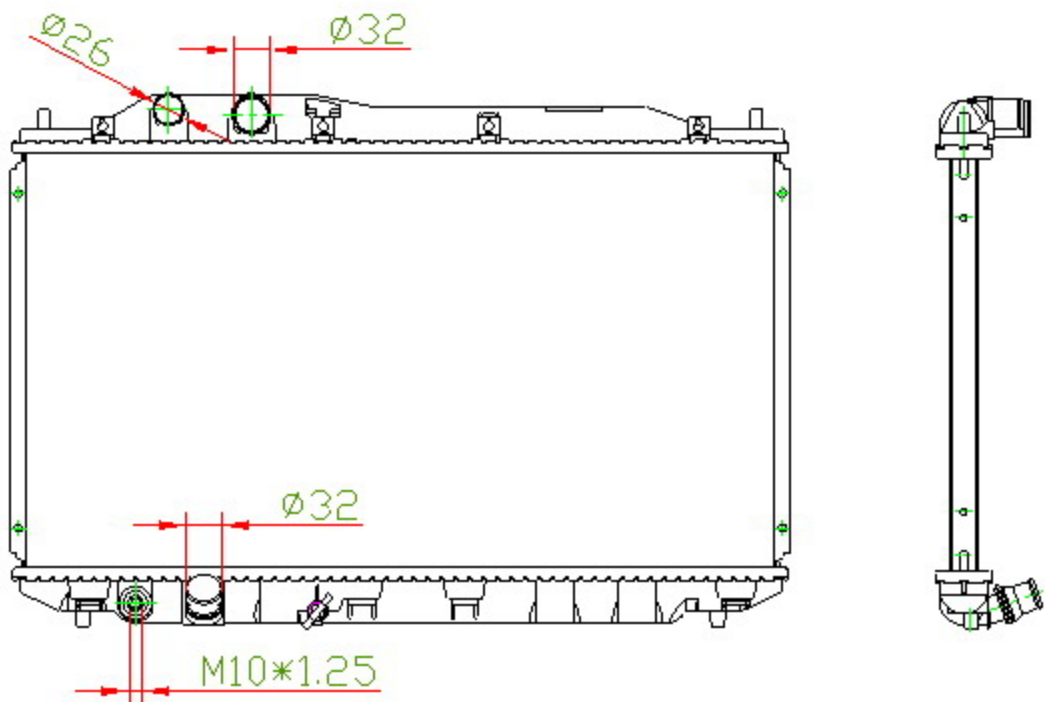


17105



CARTYPE: CIVIC' 06 R18A MT
CORE SIZE: PC 375 x 678 x 32
CORE SIZE: PA 375 x 678 x 16/26
OEM: 19010- RNB-A01/A51

DPI: 2922
CARTON: 72.5*13.5*55.5
TANK SIZE: 699.5*48
OIL COOLER: