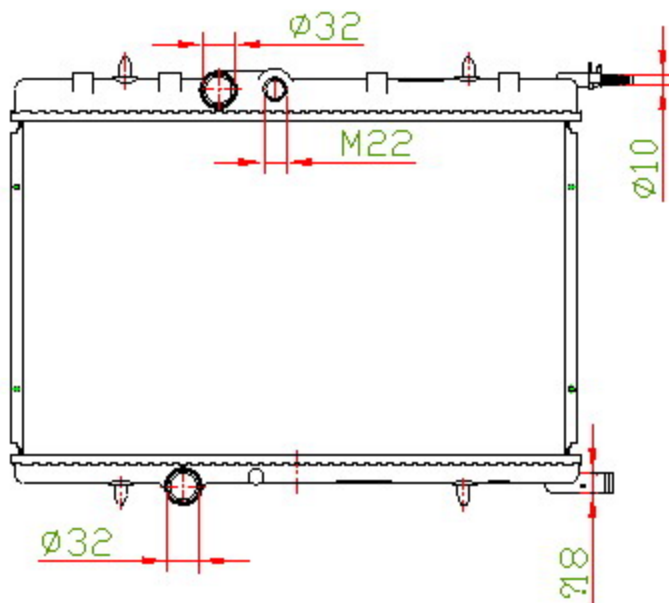


55016



CARTYPE: 标致307 带温控 MT

CORE SIZE: PA 380 x 538 x 22

CORE SIZE:

OEM:

DPI:

CARTON: 65.5\*9.5\*56.5

TANK SIZE: 563.5\*42

OIL COOLER: