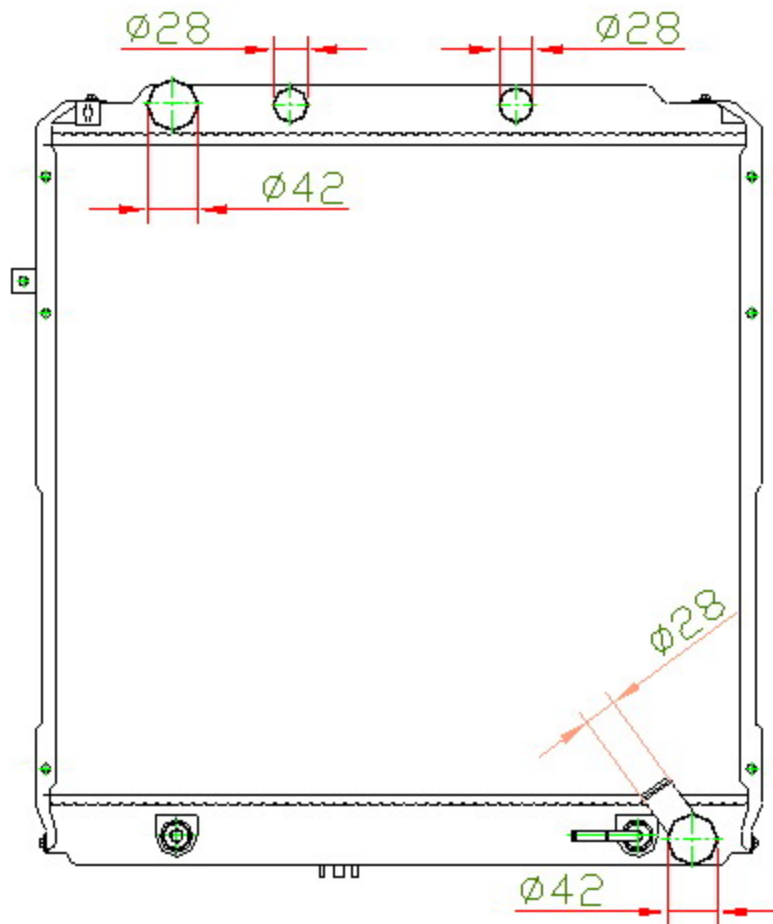


12508

TOYOTA



CARTYPE: COASTER H2B40/1HZ '97-99 AT

CORE SIZE: PA 550 x588 x48

CORE SIZE:

OEM: 16400-17251

DPI:

CARTON:69.5*16.5*72.5

TANK SIZE: 597*69

OIL COOLER:390