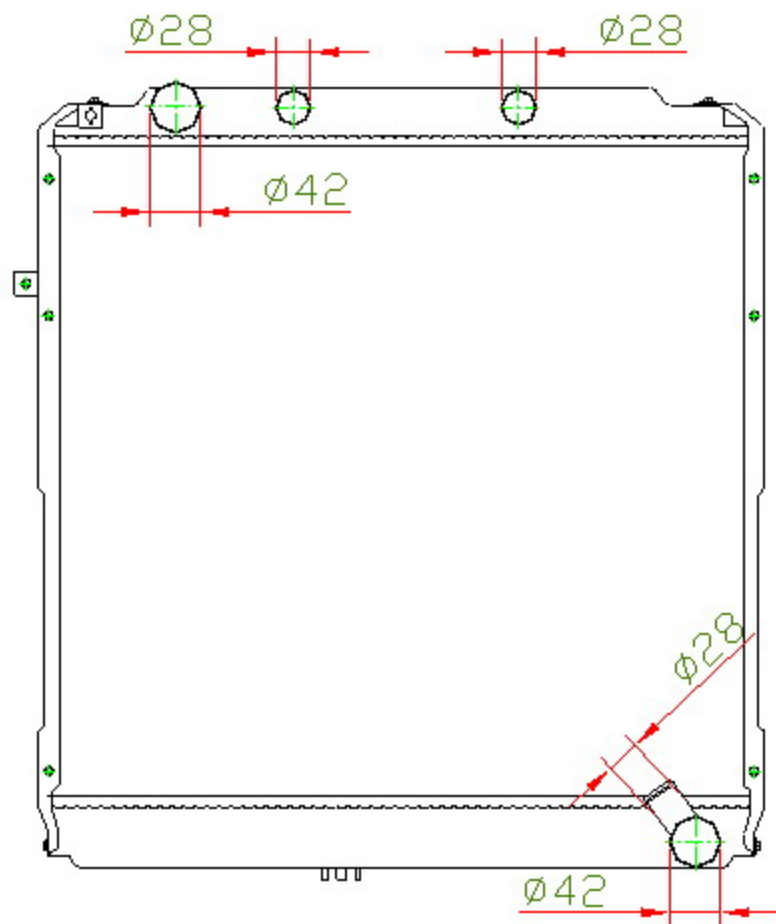


12509

TOYOTA



CARTYPE: COASTER H2B40/1HZ '97-99 MT

CORE SIZE: PA 550 x588 x48

CORE SIZE:

OEM: 16400-17261

DPI:

CARTON:69.5\*16.5\*72.5

TANK SIZE: 597\*69

OIL COOLER: